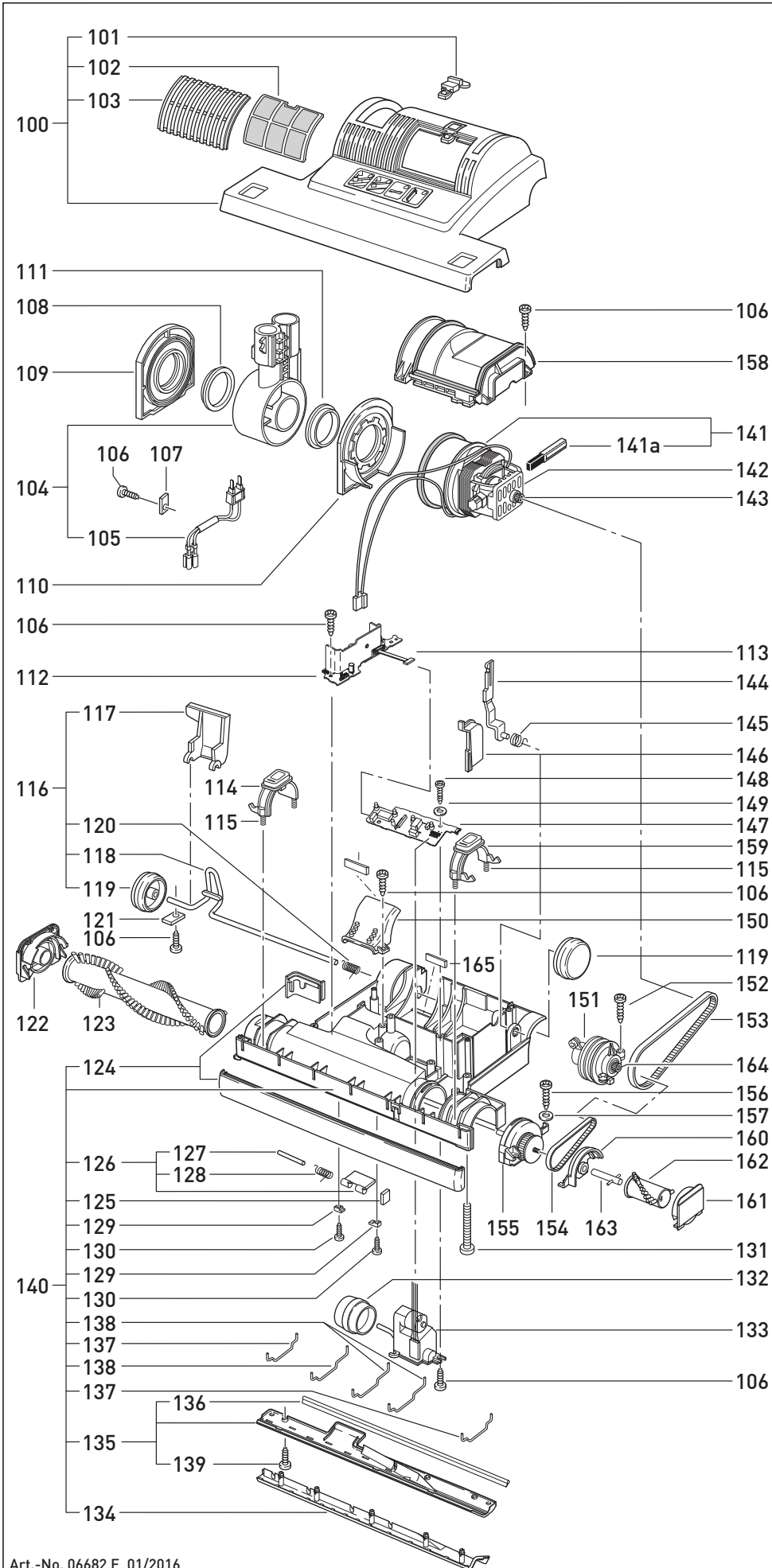


Pos.	Art.-No.	Description (ENG)
1	5620AU	Handle cpl. with cable 5390dg
1	5620VC	Handle cpl. with cable 5841dg
1	5623hg	Handle cpl. with cable 5422dg
1	5624RC	Handle cpl. with cable 5473dg
1	5628hg	Handle cpl. with cable 5260dg
1	5631GB	Handle cpl. with cable 5461UK
1	5639hg	Handle cpl. with cable 5590dg
2	5296ES	Handle grip X light grey, compl.
3	5359HE	Grommet, light grey
4	5260dg	Cable with Contour plug (EU)
4	5390dg	Cable with AUS-plug
4	5422dg	Cable with ZA-plug
4	5473dg	Cable with USA-plug
4	5461UK	Cable with GB-plug (10m)
4	5841dg	Cable with China-plug
4	5590dg	Cable with IT-plug
5	05113	Switch 2-pol., 1802.3108
6	5160gs	Switch cap, grey black
6	5160bl	Switch cap, blue
7	5161hg	Switch cap holder, light grey
8	5162	Cable clamp
9	0103ER	Screw C 3,9x16
10	5253-1	Wire antistatic
11	5216ER	Handle cable 220-240V
11	5298ER	Handle cable 100-120V
12	0129ER	Screw M 4x12
13	5187	Handle tube, 345mm
14	0102ER	Screw F 3,9x13
15	5040sb	Hose silver, complete
16	5045hg	Extension tube light grey, cpl.
17	5803hg	Cover light grey
18	5319	Bagholder spring
19	5706gs	Cover release, grey black
19	5706bl	Cover release, blue
20	5091	Safety catch spring
21	5360	Safety catch
22	5324	Bagholder, complete
23	5805SE	Front cover, cpl., grey black
23	5808SE	Front cover, cpl., blue
24	5093N	Dustbag /Pack
25	5036ER	Micro hygiene filter X
27	5380HG	Internal cover, compl.
29	1073	Clamp
30	5208	Filter safety catch
31	5210	Return spring
32	5164	Cable clamp
33	5082gs	Dust bag housing locking, grey black
33	5082bl	Dust bag housing locking, blue
34	5098hg	Lock catch
35	5099	Handle lock plate
36	0187ER	Lock pin 4h9x33,5 ST
37	5146	Stop spring
38	5145hg	Carrying handle, light grey
39	5144hg	Cable hook, light grey
40	5424gs	Retaining ring, grey black
41	5217ER	Internal cable 220-240 V
41	5299ER	Internal cable 100-120 V
42	5266	Cable clamp
43	5842	Seal 54x44x6
46	5289	Seal
48	1823hg	Attachment clip
49	5084	Spring for locking rod
51	5163	Seal
52	5083	Locking rod
53	5085hg	Dust bag housing bumper base
54	5184bl	Dust bag housing, complete light grey/blue 220-240 V
54	5184hg	Dust bag housing, complete light grey/grey black 220-240 V
54	5214bl	Dust bag housing, complete light grey/blue 100-120 V
54	5214hg	Dust bag housing, complete light grey/grey black 100-120 V
55	1092JE	Crevice nozzle, light grey
56	1491JE	Upholstery nozzle, light grey



Pos.	Art.-No.	Description (ENG)
100	5493SE	Powerhead cover XP3, grey black, compl.
100	5498SE	Powerhead cover XP3, blue, cpl.
101	5008gs	Exhaust filter catch, grey black
101	5008bl	Exhaust filter catch, blue
102	5143	Exhaust filter X
103	5007gs	Exhaust filter cover, grey black
103	5007bl	Exhaust filter cover, blue
104	5729hg	Swivel neck assembly, cpl. 220-240V
104	5729UL	Swivel neck assembly, cpl. 100-120V
105	5176	Male contact holder, kpl. 220-240V
105	5495UL	Male contact holder, kpl. 100-120V
106	0102ER	Screw F 3,9x13
107	2494	Cable clamp
108	5101	Swivel neck bearing r.h.
109	5178	Swivel neck support r.h.
110	5728	Swivel neck support l.h.
111	5717	Swivel neck bearing l.h.
112	5847ER	PCB 12V power supply 220-240V
112	5848ER	PCB 12V power supply 100-120V
113	5205/1	Ribbon cable
114	5102gs	Brush roller release, grey black
114	5102bl	Brush roller release, blue
115	5103	Spring 0,6x5x22
116	5051hg	Axle assembly X, compl.
117	5059or	Foot pedal, orange
118	5053	Axle X
119	5819hg	Wheel X, compl.
120	2010	Axle spring
121	2014ER	Axle clamp
122	5031hg	Bearing block r.h., lgr/grey black
122	5287bl	Bearing block r.h., lgr/blue
123	5276ER	Brush roller set XP3
124	5231hg	Bumper set XP3
125	5155hg	Rubbing plate
126	5172OR	Access door, cpl.
127	5303	Access door axle
128	5304	Access door spring
129	5154hg	Hinge
130	0100ER	Screw C 2,9x9,5
131	0176ER	Screw AM 4x30
132	5174hg	Pile adjustment wheel X, cpl.
133	5060ER	Servo motor with gear box, cpl.
134	5415hg	Front bottom plate XP3, cpl.
135	5416hg	Rear bottom plate XP3, cpl.
136	5400-3	Sealing strip
137	5401	Wire tie
138	5402	Wire tie
139	0197ER	Screw M4x12 Z1
140	5322hg	Chassis XP3, compl.
141	5467	Vacuum motor 100V/1000W
141	5468	Vacuum motor 110/120/1000W
141	5470	Vacuum motor 220/230V/1000W
141	5471	Vacuum motor 240V/1000W
141a	05117S	Carbon brush set 100-120 V
141a	05118S	Carbon brush set 220-240 V
142	5100	Rubber mounting
143	5462	Motor pulley 2MR
144	5129	Support lever
145	5107-1	Support spring
146	5112sw	Cover motor pulley
147	5849ER	Computer controller
148	0107ER	Screw C 2,9x13
149	0143ER	Washer 3,2 DIN 125
150	5173sw	Cover suction duct access
151	5465	Sensor XP2/3 (with red ring), cpl.
152	0104ER	Screw C 3,9x25
153	5463	Toothed belt 2MR-310-6
154	5110	Toothed belt 219 3M HTDII-6
155	5767hg	Bearing block l.h., cpl.
156	0103ER	Screw C 3,9x16
157	0141ER	Locking washer TN 451003
158	5018UL	Motor cover compl.
159	5239gs	Brush roller release, grey black
159	5239bl	Brush roller release, blue
160	5244hg	Seal bearing, XP3
161	5249gs	Brush cover compl., grey black
161	5288bl	Brush cover compl., blue
162	5250	Edge brush, compl.
163	5246	Shaft extension, compl.
164	5117/1	Sensor pulley
165	5108	Felt strip